

LIGHTING CONTROLS

ELECTRONIC TIME CLOCKS ET90000 SERIES



ET Series



DESCRIPTION

The Intermatic ET90000 Series time clocks are 365-Day astronomical time switches. It has convenient USB connection and Ethernet capabilities enable in-field schedule updates and firmware upgrades to be installed in one central location. The intuitive time switch automatically detects and adjusts voltage between 120 and 277 VAC, at 50 or 60 Hz to eliminate manual voltage adjustments during installation. The ET90000 meets the demanding needs of most facility schedules with availability in 1, 2, 4, 8, 12, and 16-circuit configurations. It can also be used with external devices, such as wall switches and occupancy sensors, to manually turn on and time off. A very convenient new PC App and Mobile App provide real-time remote control, are available to download on Intermatic website. The ET90000 provide simple, inexpensive control of lighting, HVAC equipment, commercial ovens, fans, blowers and pumps or any electrical load with a time-of-day schedule.

FEATURES

- 24 hour, 7 day or 365 day scheduling
- Automatically adjust for daylight savings time
- Holiday programming (up to 99 schedules)
- Lifetime memory for program data with 4000+ events
- Power loss back up of 100 hours
- Remote override option

- One- and Two-circuit models
- Large backlit menu based display and simple keyboard
- Auto review for easy programming review, with help message for omissions
- Available in NEMA 1 and NEMA 3R (lockable enclosures)

SPECIFICATIONS

Supply Voltage Operation	120–277 VAC, 27W, 50/60 Hz 5 buttons w/ menu display, 2 override buttons	Communications	Ethernet is optional on 1 and 2 CKT models Optional Ethernet module (ET9232) PC/Laptop (ET90000-PC) or Phone APP (ET9000-MA, Android) (ET9232 and Internet connection required)
Relay Output		Ethernet Remote (opt.)	
ET9011	1 Circuit, SPDT	BAS (opt.)	BACnet MSTP or IP, Modbus RTU or IP, Metasys N2 (ET9500) (ET9232 and Internet connection required)
ET9021	2 Circuit Individually controlled, Dual SPDT	Display	8 line backlit LCD, (1.75W x 1"H, 1/8" characters)
Relay Current		Local Set-up & Control	6-Push Buttons for menu manipulation Free software (SW) downloaded from WEB site (SW is a much easier scheduling technique)
Resistive	30A (N.O.), (N.C. not used) @ 12-240 VAC	SCCR	5,000 Amps
Resistive	20A (N.O.), 10A (N.C.) @ 12-240 VAC and 28 VDC	Operating Temperature	-40°F to 120°F (-40°C to 50°C)
Ballast	20A (N.O.), 3A (N.C.) @ 120-277 VAC	Operating Humidity	5% to 95% Non-condensing
Tungsten	5A (N.O.) @ 12-240 VAC	Wiring Terminations	Terminals, 20 to 6 AWG
FAN	1 hp @ 120 VAC, 2 hp @ 240 VAC	Mounting	Surface mount w/keyhole tab
Manual Override	2-Dedicated push buttons (one for each circuit) 2-remote Digital Inputs (one for each circuit)	Enclosure Rating	NEMA 1 or NEMA 3R per order w/solid door and padlock ring
Clock	24 Hr., 7 Day or 365 Day per field setup	Dimensions	
Clock Accuracy	60Hz sink @ ±3 minute per year	NEMA 1	7.88"H x 5.0" x 3.0"D (20 x 12.7 x 7.6 cm)
Special Functions	Astronomic, for seasonal timing Day light Saving Time (DST)	NEMA 3R	9.88"H x 5.6"W x 3.6"D (25.1 x 14.3 x 9.2 cm)
Indicators	None	Weight	
Battery Backup	Time and Date has 100 hour backup, (Super capacitor) Schedules use Non-volatile memory Relative scheduling (such as 4th Thursday of November)	NEMA 1	2.5 lb (1.1 Kg)
Schedules	2,000 events	NEMA 3R	3.4 lb (1.5 Kg)
Timers	None	Approvals	CSA
Holidays	99 individual per field setup	Warranty	1 year
Schedule Transfer	USB connection to transfer schedule from unit to unit Any 4G thumb drive to load Schedule to other clocks		

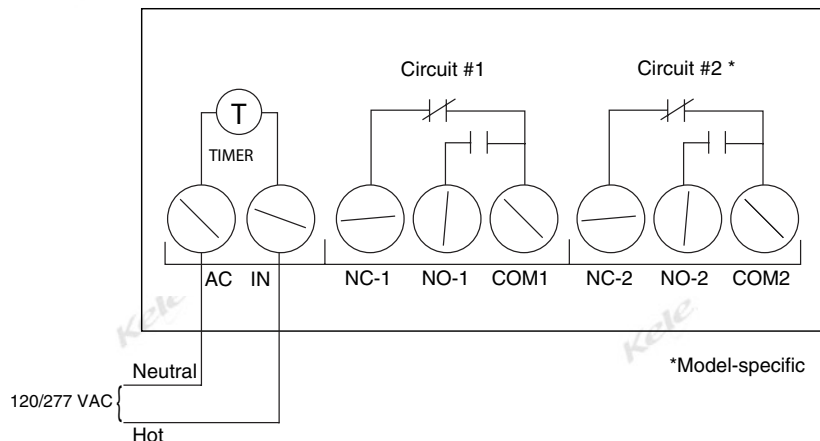


LIGHTING CONTROLS

ELECTRONIC TIME CLOCKS

ET90000 SERIES

WIRING



ORDERING INFORMATION

MODEL	DESCRIPTION
ET90115C	Single-channel time clock, 120 VAC, NEMA 1
ET90115CR	Single-channel time clock, 120 VAC, NEMA 3R
ET90215C	Two-channel time clock, 120 VAC, NEMA 1
ET79215CR	Two-channel time clock, 120 VAC, NEMA 3R